

## GXL-GH03-48-0 Glass Door Hinge (For Inset Door)

### Features

- Requires only two round holes on the door for installation of one hinge
- Recommended for use in pairs

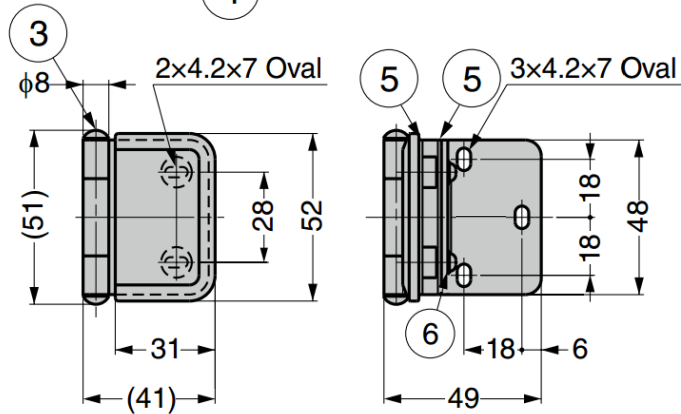
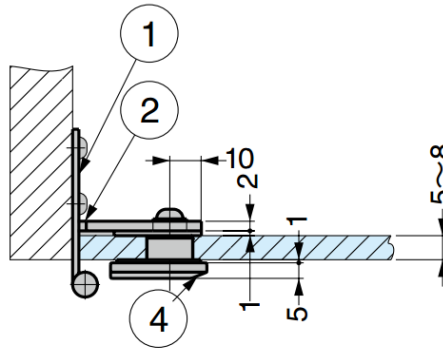
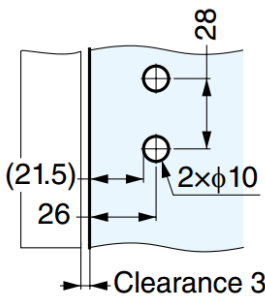
### Parts Included

- Spacer (2 pcs)
- Truss head screw M4x12 (2 pcs)

### Notes

- Recommended door dimensions in the below table are based on usage of two hinges for one door

### Cut Out Dimensions



No.	Part Name	Material	Finish / Colour	
			CR	GC
①	Hinge Plate	Stainless Steel (SUS304)	Polished	Gold, Clear
②	Arm			
③	Shaft			
④	Plate	Zinc Alloy (ZDC)	Chrome	
⑤	Spacer	Polyethylene	White	Natural
⑥	Screw	Stainless Steel (SUS304)	Plain	Plain

Part No.	Door Width	Door Height	Glass Thickness	Load Capacity (per pair)	
GXL-GH03-48-0CR	Max. 650	Max. 900	5, 6, 8	118 N	12 kg
GXL-GH03-48-0GC					